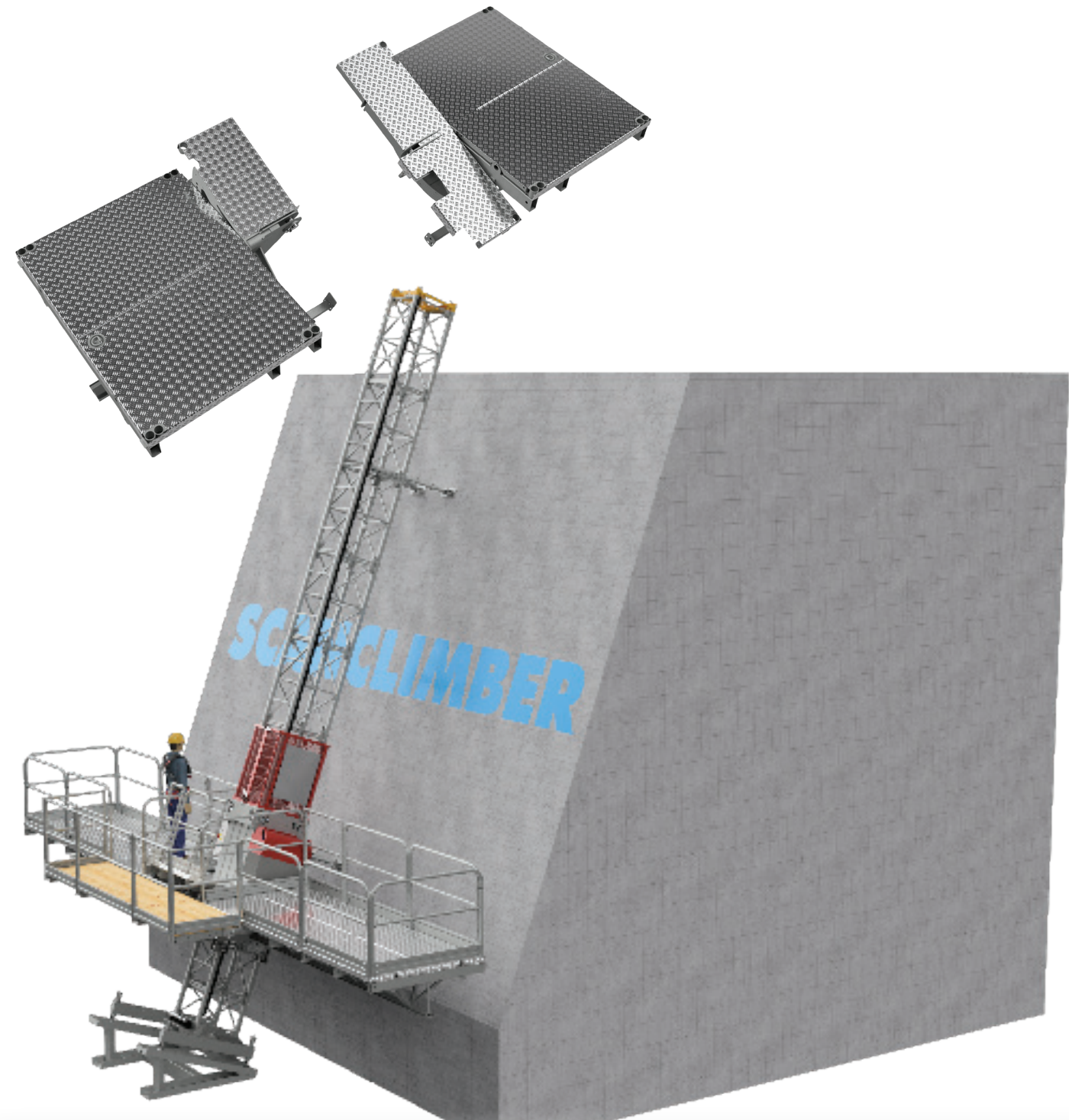


# SC

## Mast climbing work platform option

### **Tilt/Inclined Platform**

Scandclimber's inclined/tilt platform steps into a new dimension of efficiency and safety, an innovation in façade installation technology. With our Inclined platform no facade is too steep to handle when it comes to working on complex surfaces. The add-on is compatible with all the middle to high payload range capacity Scandclimber MCWPs. (SC5000, SC6000, SC8000 & SC10000).



# SCANCLIMBER

PART OF ALIMAK GROUP

## MCWP option **Inclined Platform**

### General

The inclined platform is a useful add-on to a mast climbing work platform (MCWP) that is designed to turn challenges into opportunities. Scanclimber's inclined platform is the solution you have been waiting for when it comes to working on inclined surfaces. The platform boasts a wide-angle inclination that ranges from  $-15^{\circ}$  to  $44^{\circ}$ , adjustable in precise steps of  $0.5^{\circ}$ . Whether you are working on a retrofitted heritage building or a modern architectural marvel, Scanclimber's inclined platform seamlessly adjusts to the shape and angle of your project. This unique option provides the flexibility to work seamlessly on almost any inclined façade. Despite the inclination of the façade and masts, the platform itself remains levelled. This ensures you can work effortlessly and efficiently, without compromising on safety or accuracy. With its superior lifting capacity and precision controls, this equipment is an indispensable asset to any construction or maintenance team.

The Scanclimber's inclined platform has been meticulously designed and tested to ensure it provides a secure working environment. This means work can proceed more efficiently and accurately, leading to potential time and cost savings.

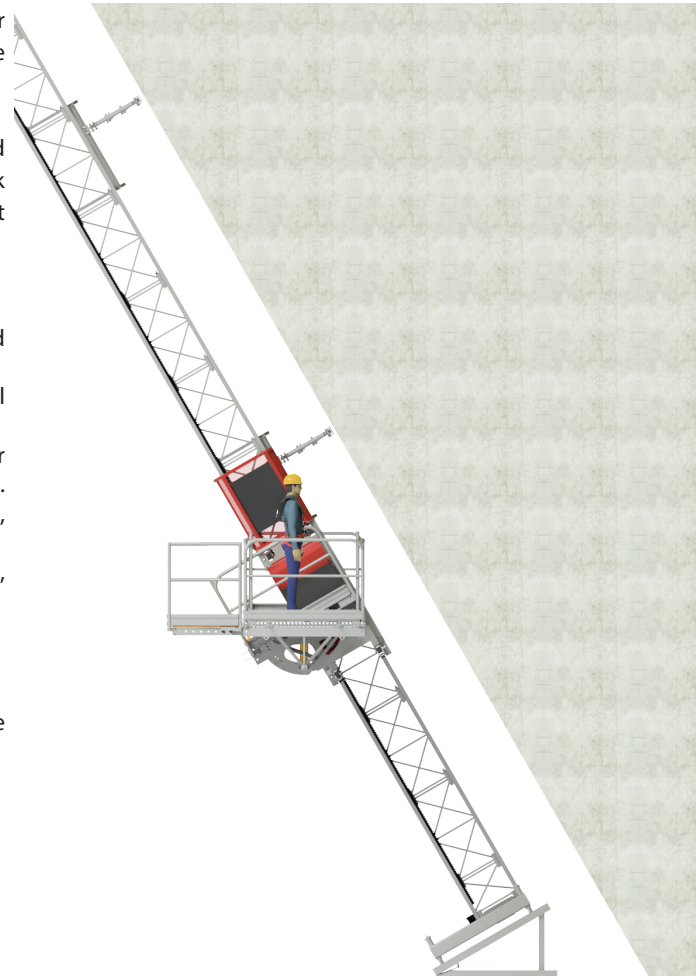
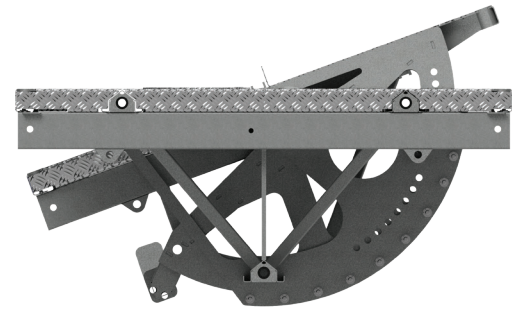
### Advantages

- The Inclined platform simplifies the process of working on inclined façades, reducing the complexity and potential stress.
- Increases the reach to certain inclined surfaces where traditional scaffolding or aerial work platforms may not reach.
- Time is money, and our inclined platform saves you both. Designed for quick and easy assembly, it helps reduce overall working time on job sites.
- The platform's level stability, even when working on inclined surfaces, reduces risk and increases the safety
- The inclined platform is engineered with low-weight components, eliminating the need for special lifting equipment for installation.

### Payloads and Dimensions

**The inclined platform's payload capacity depends on the inclination.**

Tilt platform can be used with signal and twin unit configurations of the Scanclimber MCWPs.



## Technical Data

Maximum Inclination angle (Tilt range) *Refer to instructions material	$-15^{\circ}$ to $44^{\circ}$ (with $0.5^{\circ}$ steps)
Payload Capacity	Depends on inclination ( $-15^{\circ}$ to $44^{\circ}$ )
Mast angle	As per the inclination ( $-15^{\circ}$ to $44^{\circ}$ )
Freestanding	Not allowed
Maximum tie spacing	Depends on platform type and inclination
Maximum overhang after the top-most tie	Depends on platform type and Inclination ( $-15^{\circ}$ to $44^{\circ}$ )

Scanclimber is the world's technology leader in mast climbing equipment for both temporary and permanent installations. The company has its corporate head office in Pirkkala, Finland, and manufacturing in Gniezno, Poland.

The company employs more than 200 people in Europe and Asia.

Scanclimber creates value for its customers with high quality, reliable and flexible vertical access solutions.

# SCANCLIMBER

PART OF ALIMAK GROUP

Scanclimber Oy, Turkkirata 26, FI-33960 Pirkkala | [www.scanclimber.com](http://www.scanclimber.com)

Tel. +358 10 680 7000