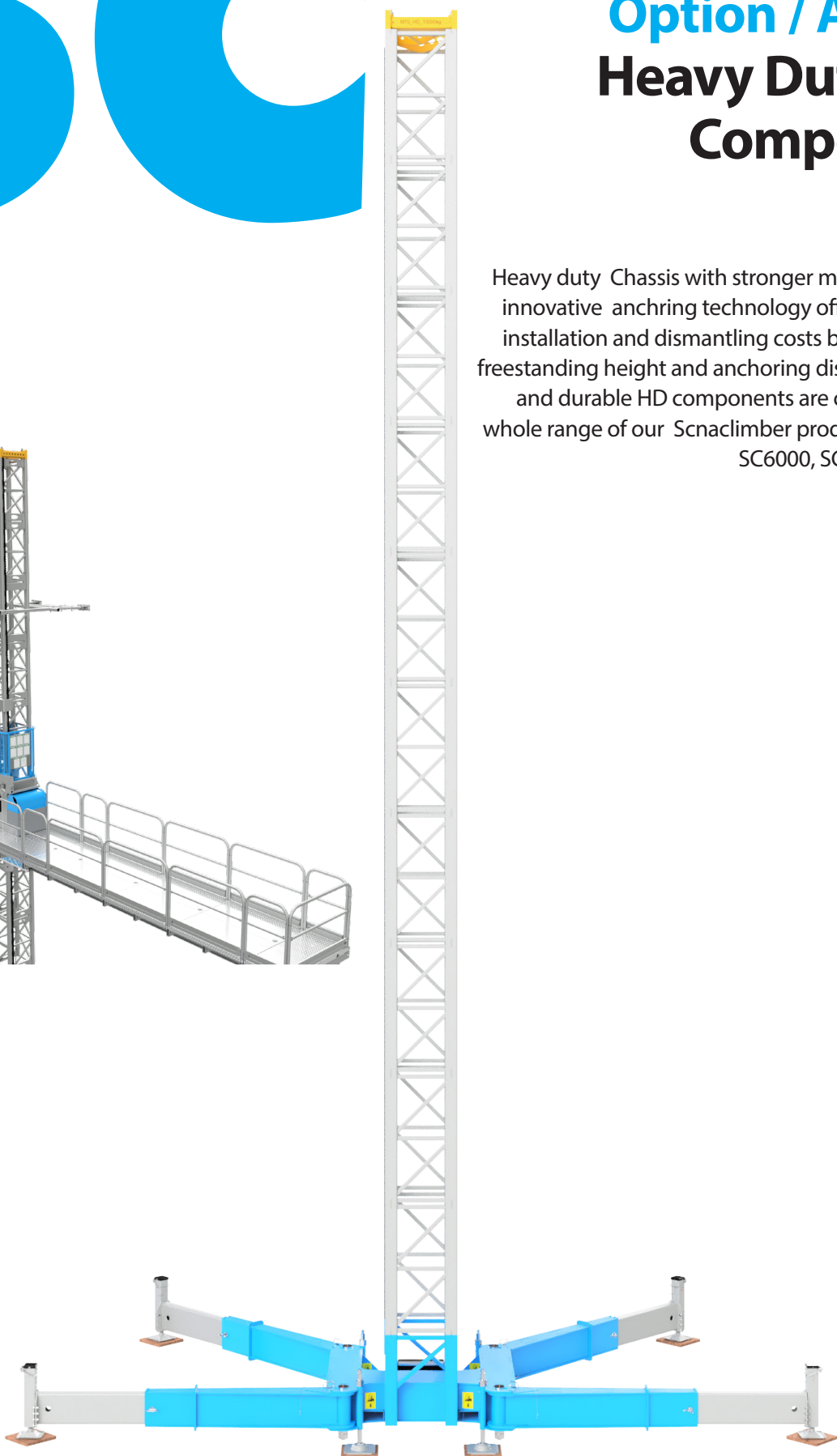
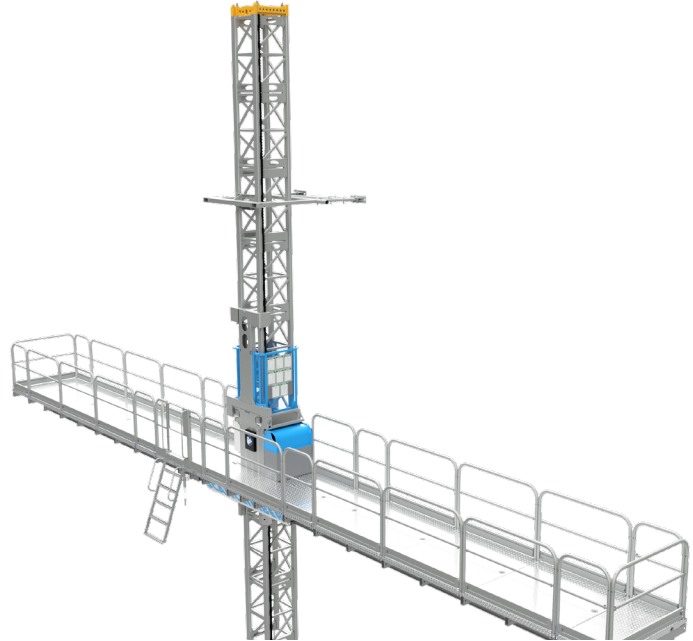


SC

Mast climbing work platform

Option / Add-On Heavy Duty (HD) Components

Heavy duty Chassis with stronger mast sections and innovative anchoring technology offers to cut down installation and dismantling costs by increasing the freestanding height and anchoring distances. Rugged and durable HD components are compatible with whole range of our Scnaclimber product i.e; SC5000, SC6000, SC8000, SC10000.



SCANCLIMBER

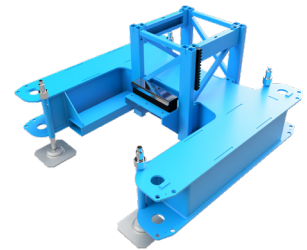
PART OF ALIMAK GROUP

Heavy Duty (HD) Chassis

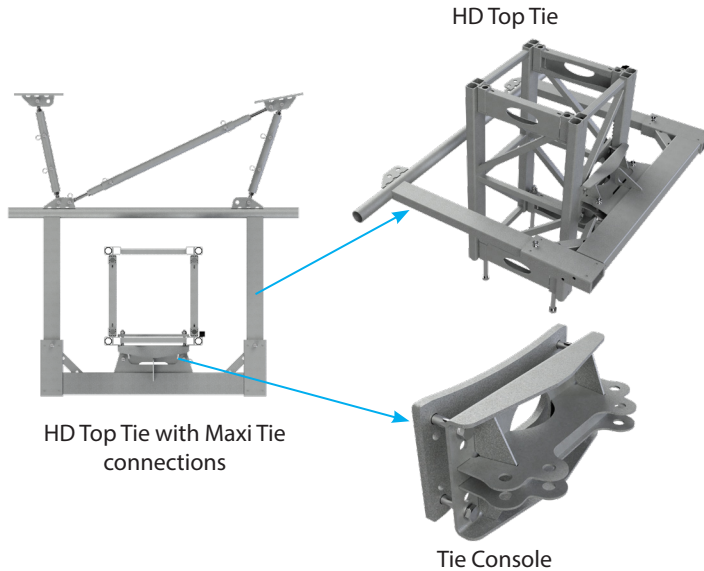
The heavy duty Chassis with HD mast allows you to use Scanclimber Mast Climbing Work Platforms up to 30 meters height freestanding. Not only that but using the Chassis with outriggers, the mast climber can be used up to 55 meters height by only installing the top tie with the mast.



HD-Chassis with Outriggers



HD-Chassis Base Unit (Without Outriggers)



HD Top Tie

HD Top Tie with Maxi Tie connections

Tie Console

Mast Tie

The new tying technology includes a mast tie console and innovative HD top tie which allows more flexibility in installation. The tie console enables the ties (wall as well as top tie) to be adjusted and fixed to the mast at any position without the need of any additional components.



M70 HD Mast Section

HD Mast Sections

Along with heavy duty Chassis, Scanclimber has a M70 HD mast section for MCWPs which allows more tying distance and a large overhang. The new mast sections are essentially stronger but with same dimensions as of our standard mast sections. HD mast is fully compatible and usable with our standard mast sections with the help of an adapter.

Compatibility

Scanclimber considered all aspects during development of HD Chassis, HD Mast and HD Ties from installation to customer inventory. We made sure that all these product components are fully compatible with any of our mast climbing work platform models and components already in use at the construction sites. **When it comes to compatibility, the HD components can be used with our whole range of Mast Climbing Work Platforms i.e. SC5000, SC6000, SC8000 and SC10000.**

Technical Data

Free Standing Height with Outriggers	30 m
Top Tie height with Outriggers	55 m
Top Tie height without Outriggers	46 m
Max. Tying Distance	30 m
Max. Overhang (Height after top tie)	20 m
Mast Section Weight	150 kg
Dimensions of HD Mast Section	0.70 m x 0.70 m x 1.25 m

Scanclimber is a global leader in the design and manufacture of vertical access solutions for construction, renovation, and demolition projects globally. The company provides high quality mast climbing work platforms and custom vertical access solutions built on advanced rack and pinion technology. With a commitment to quality and innovation, Scanclimber continues to set new standards in the industry. Scanclimber is part of Alimak Group, which is headquartered in Stockholm, Sweden.

SCANCLIMBER

PART OF ALIMAK GROUP

Scanclimber Oy, Turkkirata 26, FI-33960 Pirkkala | www.scanclimber.com

Tel. +358 10 680 7000